

DATA SHEET

Pin tool liquid handling for the FLIPR system

Nanoliter transfers for real-time kinetic cellular assays



The FLIPR® High-Throughput Cellular Screening System includes a pin tool option for nanoliter liquid transfer. The pin tool pipettor is a complementary addition to the existing 96-, 384- and 1536-well pipetting options. When the system is configured with the pin tool, you get a cost-effective screening instrument capable of ultra high-throughput to accelerate your kinetic cell based assays.

Using pins from V&P Scientific, the pin tool pipettor allows direct transfer of compounds that have been suspended in 100% DMSO or ethanol. The transfer of compounds in nanoliter volumes—as low as 19 nL—eliminates the need for an intermediate dilution plate to decrease DMSO concentration. Since transfer volumes are small, DMSO concentrations are 1% or less, and toxic effects to the cells are minimized. In addition, by transferring compounds directly from the library to the read plate, consumable costs, including plates and tips, are significantly decreased, minimizing assay preparation time and increasing throughput.

The pin tool also allows non-specific or “sticky” compounds to easily transfer using the optional hydrophobic-lipophobic pin coating. Since the compounds do not stick to the pins, accurate dispensing of compounds is achieved.

KEY FEATURES

- Accelerate throughput of kinetic cell based assays
- Switch formats between pin tool and pipettor in minutes without tools
- Minimize assay preparation time
- Reduce compound consumption

The FLIPR system provides user configurable fluidic components to enable you to exchange between pin tools with traditional pipettors in less than 10 minutes. Pin tools are available for different liquid volumes in 384- and 1536-well formats. (See ordering information table.)

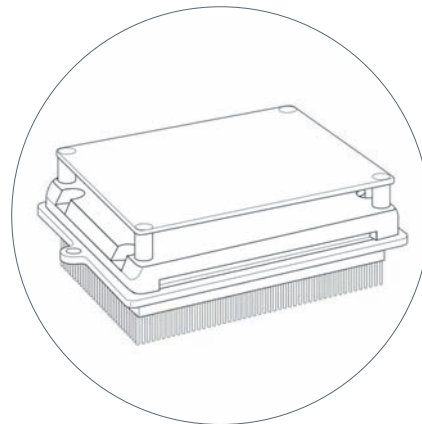
Transition between pin tools and adjust transfer volume using ScreenWorks® PeakPro™ software. The software also enables you to customize pin washing using up to two solvents, as well as automate the use and exchange of disposable blotting stations.

Ordering information

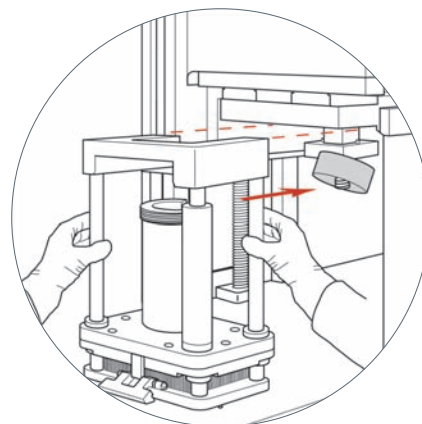
Pin tool pipettor head kits, pin holders, and pins for 384- and 1536-wells can be ordered with the FLIPR system or ordered separately to customize your existing system. Multiple pin tools are available for both 384- and 1536-well pin tool heads (1310-FP3N & 1310-FPIN series respectively). Contact your account manager for configuration options.

Pin types and accessories	Volume*	Part number
Compatible with 1536-wells only		
Solid pin	19–68 nL	1310-FPIN
Hydrophobic-lipophobic solid pin	19–68 nL	1310-FPINH
10 nL slot pin	31–79 nL	1310-FPINS10
10 nL hydrophobic-lipophobic slot pin	31–79 nL	1310-FPINS10H
20 nL slot pin	43–89 nL	1310-FPINS20
20 nL hydrophobic-lipophobic slot pin	43–89 nL	1310-FPINS20H
30 nL slot pin	53–99 nL	1310-FPINS30
30 nL hydrophobic-lipophobic slot pin	53–99 nL	1310-FPINS30H
40 nL slot pin	64–109 nL	1310-FPINS40
40 nL hydrophobic-lipophobic slot pin	64–109 nL	1310-FPINS40H
50 nL slot pin	74–117 nL	1310-FPINS50
50 nL hydrophobic-lipophobic slot pin	74–117 nL	1310-FPINS50H
6 nL slot pin	26–74 nL	1310-FPINS6
6 nL hydrophobic-lipophobic solid pin	26–74 nL	1310-FPINS6H
Compatible with 384-wells only		
Solid pin	84–240 nL	1310-FP3N
Hydrophobic-lipophobic solid pin	84–240 nL	1310-FP3NH
100 nL slot pin	178–326 nL	1310-FP3NS100
100 nL hydrophobic-lipophobic slot pin	178–326 nL	1310-FP3NS100H
200 nL slot pin	278–424 nL	1310-FP3NS200
200 nL hydrophobic-lipophobic slot pin	278–424 nL	1310-FP3NS200H
500 nL slot pin	527–656 nL	1310-FP3NS500
500 nL hydrophobic-lipophobic slot pin	527–656 nL	1310-FP3NS500H
Accessories (384 & 1536)		
Pin tool cover	n/a	2300-1758
Pin tool base	n/a	2300-1757
Wash station reservoir	n/a	0310-5268

*Refer to V&P Scientific for performance parameters at www.vp-scientific.com.



Pin selection. A selection of pins are available for each format (384- and 1536-well) to choose volume ranges appropriate for your assay.



Real-time data handling. User-configurable heads enable you to switch formats between pin tool and pipettor in minutes without tools.

Contact Us

Phone: +1.800.635.5577
 Web: www.moleculardevices.com
 Email: info@moldev.com
 Check our website for a current listing of worldwide distributors.

Regional Offices

USA and Canada	+1.800.635.5577	Taiwan/Hong Kong	+886.2.2656.7585
United Kingdom	+44.118.944.8000	Japan	+81.3.6362.9109
Europe*	00800.665.32860	South Korea	+82.2.3471.9531
China	+86.4008203586	India	+91.73.8661.1198

*Austria, Belgium, Denmark, Finland, France, Germany, Ireland, Netherlands, Spain, Sweden and Switzerland